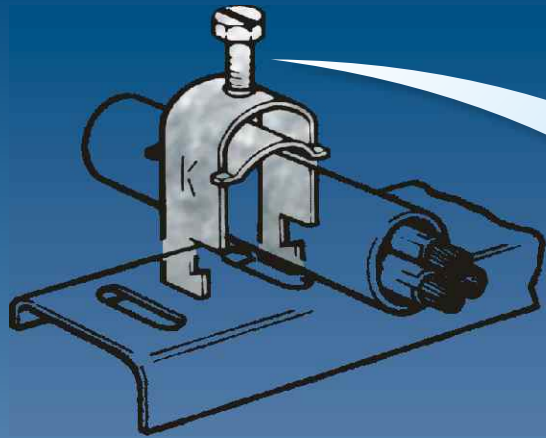
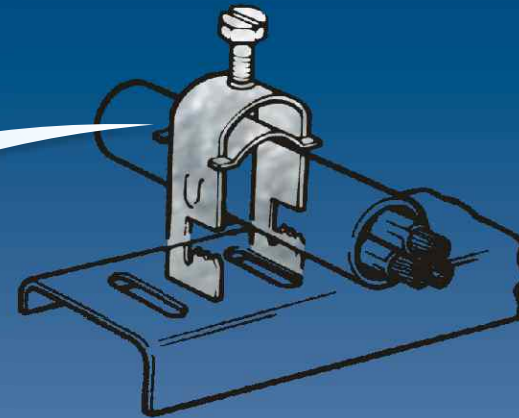


"Q" CLAMPS One common clamp for all applications

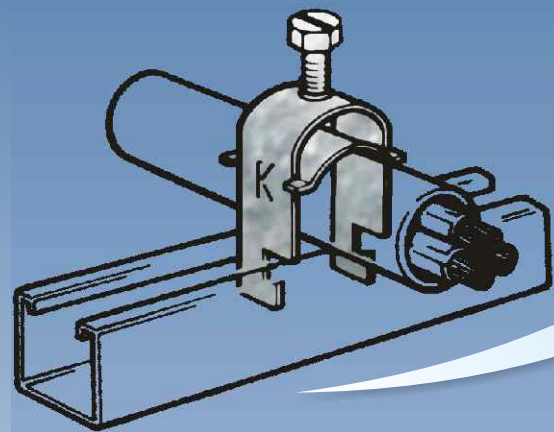
Cable Ladder
Cross Rung



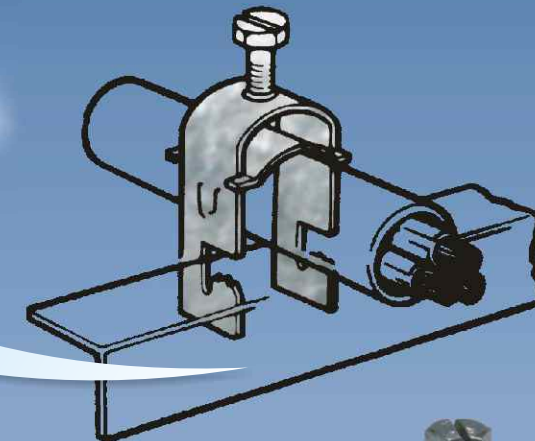
Angle Iron



P1000 Channel



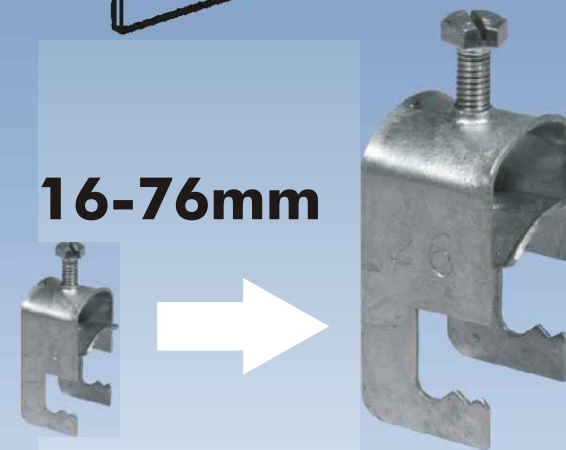
Cable Ladder
Cross Rung



- Lighter
- More Versatile
- More Cost Effective
- Less Stock Holding
- Hot Dip Galv. body
- Electro Galv. Screw



16-76mm



K&U=Q

**K & U Clamps
Combine
to Become
"Q" Clamps**



**FIRST
TECH**

INVESTING IN EXCELLENCE

Tel: (021) 531-1887